

Clarke®



5 LITRE HAND SPRAYER

MODEL NO: 5LS

PART NO: 3402264

USER INSTRUCTIONS

ORIGINAL INSTRUCTIONS

GC0718 - ISS 1

INTRODUCTION

Thank you for purchasing this CLARKE Sprayer, designed for use with insecticides or other water-based products only.

Before attempting to use this product, please read this manual thoroughly and follow the instructions carefully. In doing so you will ensure the safety of yourself and that of others around you, and you can look forward to your purchase giving you long and satisfactory service.

GUARANTEE

This product is guaranteed against faulty manufacture for a period of 12 months from the date of purchase. Please keep your receipt which will be required as proof of purchase.

This guarantee is invalid if the product is found to have been abused or tampered with in any way, or not used for the purpose for which it was intended.

Faulty goods should be returned to their place of purchase, no product can be returned to us without prior permission. This guarantee does not effect your statutory rights.

GENERAL SAFETY PRECAUTIONS

1. Never use this sprayer to store or spray flammable solvent-based chemicals.
2. Empty the contents if the sprayer is not to be used for long periods.
3. If insecticide is being sprayed, always wear a protective glasses, mask and gloves to protect the skin and face. Never spray chemical products facing into the wind.
4. Never spray pesticide in the direction of other people, animals or foodstuffs.
5. Never use the sprayer for handling hot liquids and avoid operating in excessively hot environments.
6. Always comply with any applicable insecticide manufacturers safety instructions/directives before use.
7. Stop using the sprayer if the container or hose is found to be damaged.

OVERVIEW



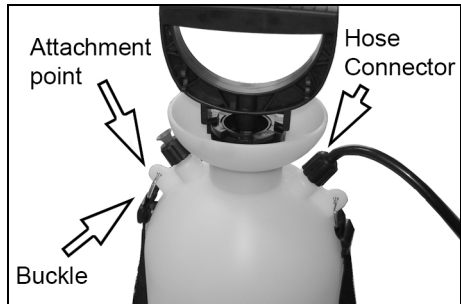
SPECIFICATION

Dimensions Diameter x Height	182 x 428 mm
Weight	1.05 kg
Volume	5 Litres
Lance Length	550 mm (including spray gun)
Hose Length	1.2 m
Piston Material	Metal/polymer

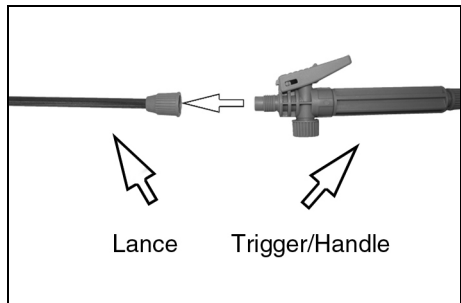
Please note that the details and specifications contained herein, are correct at the time of going to print. However, CLARKE International reserve the right to change specifications at any time without prior notice.

ASSEMBLY

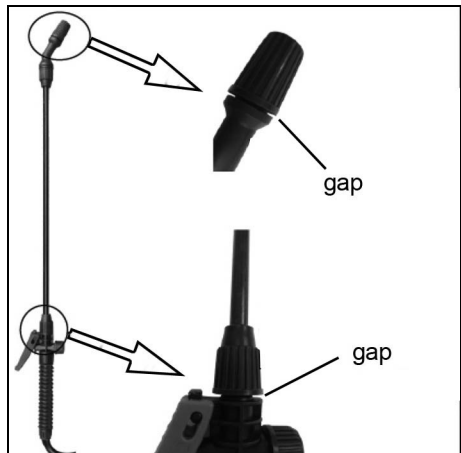
1. If not already fitted, clip the shoulder strap to the attachment points. Adjust the strap length as required using the buckles.



2. Screw the lance assembly onto the trigger/handle assembly.
 - The other end of the hose should already be connected to the container.
3. Make sure that all connections are fully hand tightened to prevent leaks and loss of pressure.

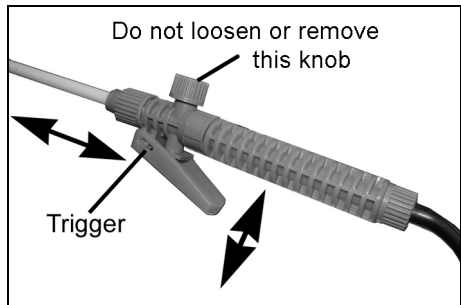
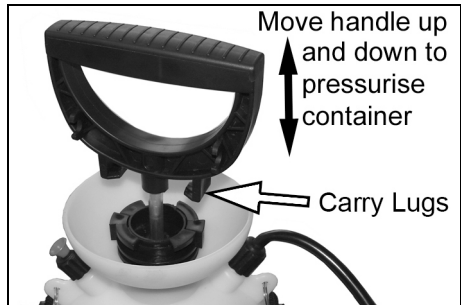


NOTE: Do not overtighten the components. Leave a gap as shown.



OPERATION

1. Unscrew the handle and pump assembly and fill the container with the desired liquid.
2. Screw the handle and pump assembly back on firmly.
3. Release the carrying lugs from the pump body by twisting the handle anticlockwise.
4. Pressurise the container by pumping the handle.
5. Squeeze the trigger to begin spraying. When the spray weakens, pump the handle to re-pressurise the container.
6. Push the trigger down and forward to lock in position to maintain a constant spray without needing to hold the trigger. Slide the trigger back to release.
7. Adjust the width of the spray by twisting the tip of the nozzle.
8. If leaks or poor delivery are experienced, always check the connections.
9. Push the pump handle downward and twist left or right to engage the carrying lugs in the cap when lifting the unit.



AFTER USE

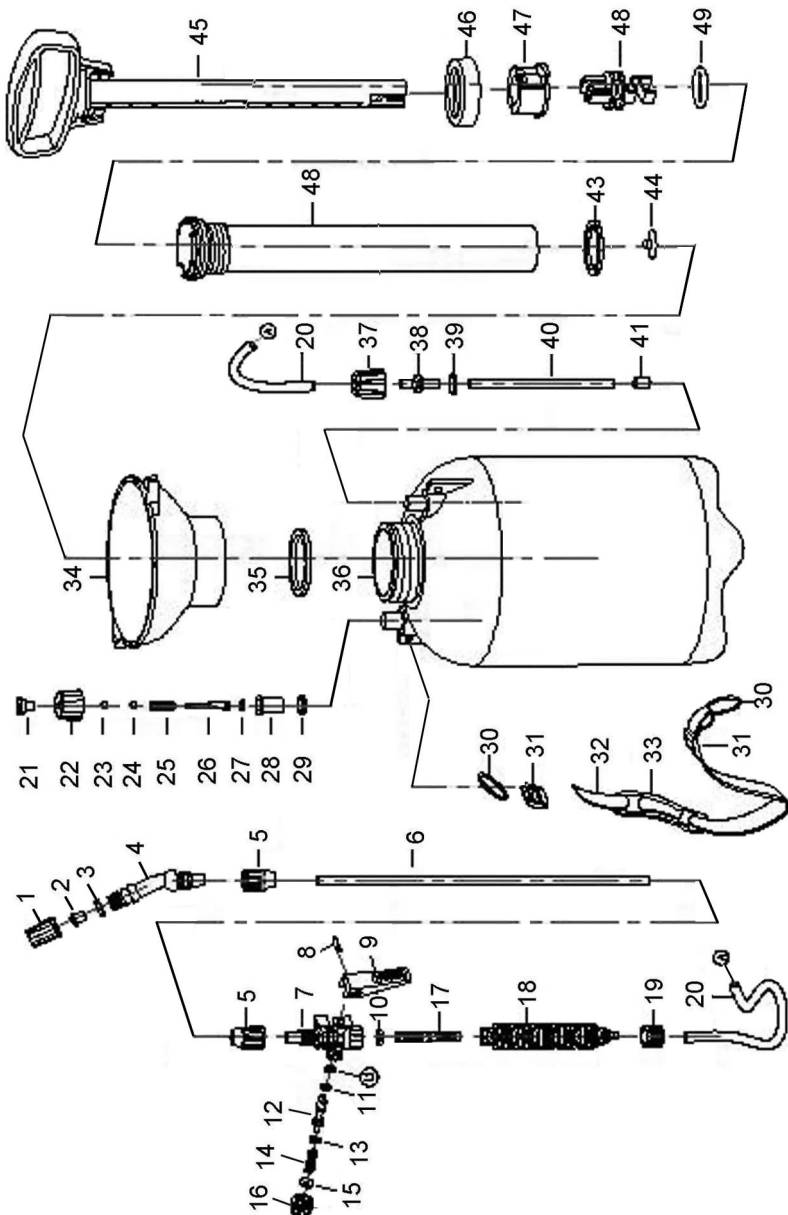
After use, the sprayer should be flushed thoroughly with clean water to avoid the possibility of blockages from product residue, or any cross-contamination between different products.

Store in a cool place out of reach of children.

If not used for long periods or used continuously for several days, add a light smear of vaseline to the sealing washers and moving parts to reduce wear and assist free movement.

Always release any pressure before storage.

COMPONENT PARTS



COMPONENT PARTS

No	Description
1	Cap
2	Swirl Nozzle
3	O-ring 14 dia
4	Lance End Bend
5	Lance End Fitting
6	Lance Rod
7	Trigger Body
8	Trigger Pin
9	Trigger
10	Trigger Sealing Ring
11	O-Ring 6.8 dia
12	Valve Plug
13	O-Ring 7.6 dia
14	Trigger Spring
15	Trigger Seal Ring
16	Trigger Nut
17	Trigger Filter
18	Trigger Handle
19	Hose Retaining Cap
20	Hose
21	Cap of Safety Valve Rod
22	Safety Valve Cap
23	Caution Ring Green
24	Caution Ring Yellow
25	Safety Valve Spring

No	Description
26	Safety Valve Rod
27	O-ring 8.5 dia
28	Safety Valve Seat
29	Sealing Ring
30	Strap Ring
31	Strap Buckle
32	Strap
33	Shoulder Pad
34	Funnel
35	Funnel Washer
36	Container
37	Cap of Hose
38	Coupling Head
39	Flat Washer
40	Suction Tube
41	Small Filter Screen
42	Air Cylinder
43	Sealing Gasket
44	Waterproof Washer
45	Pump Handle
46	Nut
47	Orient Seat
48	Piston
49	Piston O-ring

A SELECTION FROM THE VAST RANGE OF

Clarke®

QUALITY PRODUCTS

AIR COMPRESSORS

From DIY to industrial, Plus air tools, spray guns and accessories.

GENERATORS

Prime duty or emergency standby for business, home and leisure.

POWER WASHERS

Hot and cold, electric and engine driven - we have what you need

WELDERS

Mig, Arc, Tig and Spot. From DIY to auto/industrial.

METALWORKING

Drills, grinders and saws for DIY and professional use.

WOODWORKING

Saws, sanders, lathes, mortisers and dust extraction.

HYDRAULICS

Cranes, body repair kits, transmission jacks for all types of workshop use.

WATER PUMPS

Submersible, electric and engine driven for DIY, agriculture and industry.

POWERTOOLS

Angle grinders, cordless drill sets, saws and sanders.

STARTERS/CHARGERS

All sizes for car and commercial use.



PARTS & SERVICE: 0208 988 7400

E-mail: Parts@clarkeinternational.com or Service@clarkeinternational.com

SALES: UK 01992 565333 or Export 00 44 (0)1992 565335

Clarke® INTERNATIONAL Hemnall Street, Epping, Essex CM16 4LG
www.clarkeinternational.com